

| CLAMP ON SUPPORT RAIL



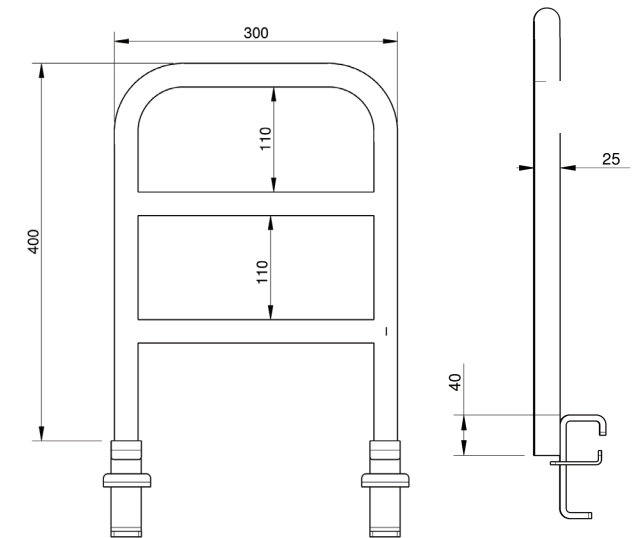
Rounded design



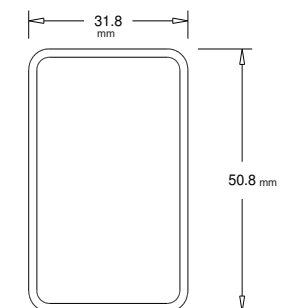
Quick release clamping



EXTERNAL DIMENSIONS



MATERIAL CLAMPING SIZE



- ✓ SAFE AND SECURE
- ✓ INDEPENDENTLY TESTED
- ✓ AUSTRALIAN STANDARDS

Patients and Carers can be living in a “we care” environment after purchasing an INDEPENDENTLY TESTED Alrick Clamp on Support Rail that has passed AUSTRALIAN STANDARDS.

- ✓ Minimises risk of entrapment
- ✓ Powdercoated finish
- ✓ User friendly
- ✓ Maintenance free

CLP400 FITS THE FOLLOWING BEDS



2000 Series



4000 Series



5000 Series



6000 Series



7000UL Series



7000GW Series



8350 Series

OTHER ACCESSORIES AVAILABLE



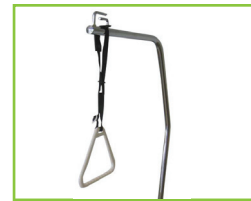
360HR Horizontal Side Rails



380VR Vertical Side Rails



400HR Deluxe Rails



ASHP Self Help Pole



AIVP I.V. Pole



TBR7000 T Bar Buffer



C.EXT 200mm Clip On Extension



BMR Bed Mover Wheel Set



COT PRO Padded Side Rail Protectors



OBT OverBed Table



A Unit 8/110 Silverwater Road | Silverwater NSW 2128

P 02 9649 2111 **E** sales@activemobility.com.au

www.activemobility.com.au

E & O.E.