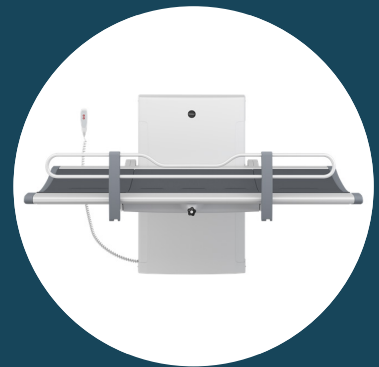
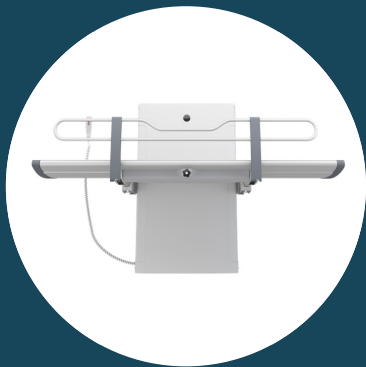


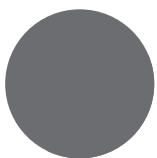
# Pressalit Nursing Bench

SCT-3000

The Pressalit Nursing Bench 3000 series provides for maximum safety and comfort. Besides an award winning design, the series includes comfortable and durable surfaces, including polyurethane foam and aluminium.



## Colours



Graphite  
Grey

## Sizes

**Standard**

1910mm

**Junior**

1410mm

## Features



### Curved

For added  
comfort and  
safety



### Weight Capacity

200kg



### Adjustable

Manually  
adjustable back  
support



### Water Collection

Collection tray with  
integral outlet prevents  
splashing on carer.

# Full Features

- Durable construction and surfaces that include polyurethane foam and aluminium
- Table surface is curved for added comfort and safety
- Electrically height adjustable to suit any user
- Gas assisted tilt allows carers to easily fold up or lower the bench with minimal effort.
- Easy to clean, smooth contact surfaces which do not collect dirt and bacteria
- Perfect for aquatic centres, nursing homes, retirement villages, schools and hospitals.
- **Complies to EU 2017/745**

# Specifications

Specifications	Standard	Junior
SWL	200 kg	200kg
Overall Length	1910 mm	1410 mm
Overall Width (from wall)	987 mm	987 mm
Bench Width	798 mm	798 mm
Folded Width	290 mm	290 mm
Height	300-1000 mm	300-1000 mm
Material	Powder-lacquered stainless steel, aluminium, polyurethane foam	Powder-lacquered stainless steel, aluminium, polyurethane foam
Colour	Graphite Grey	Graphite Grey
Power Point	10A GPO	10A GPO

# Examples



## Silverwater

Unit 8, 110-120 Silverwater Rd  
Silverwater NSW 2128  
Ph: 9649 2111

**IMPORTANT** : Always be sure to read your owner's manual and installation guide thoroughly before operation.

[activemobility.com.au](http://activemobility.com.au)

  
Active Mobility

  
ARCHABILITY