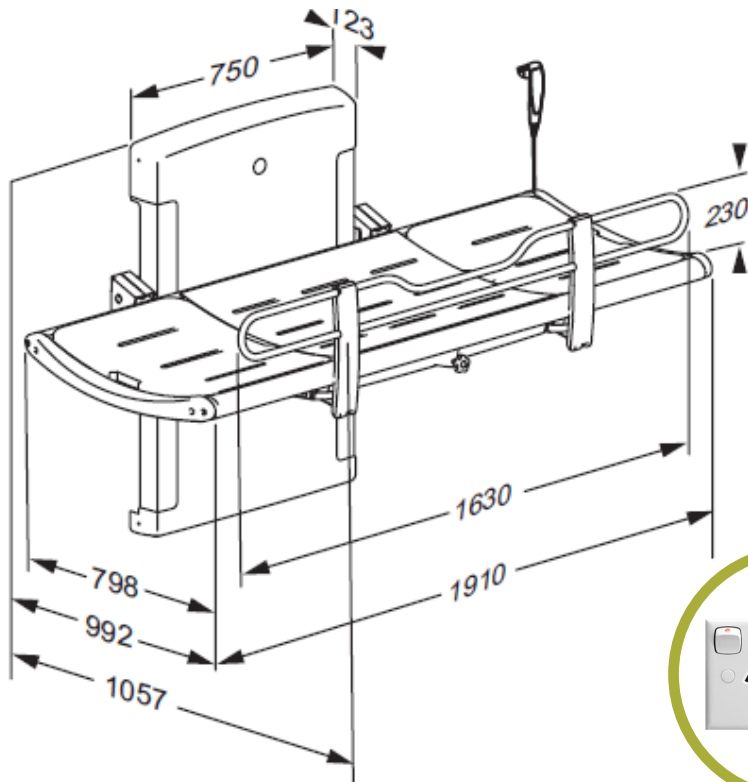


Pressalit Nursing Bench Installation Guide – Adult



A comfortable nursing bench for use in both wet and dry areas. The polyurethane foam top and in built water collection tray help minimise splashing water and spillage on the floor. The remote controlled height adjustment enhances safety for both the user and their carer.

10A GPO

