

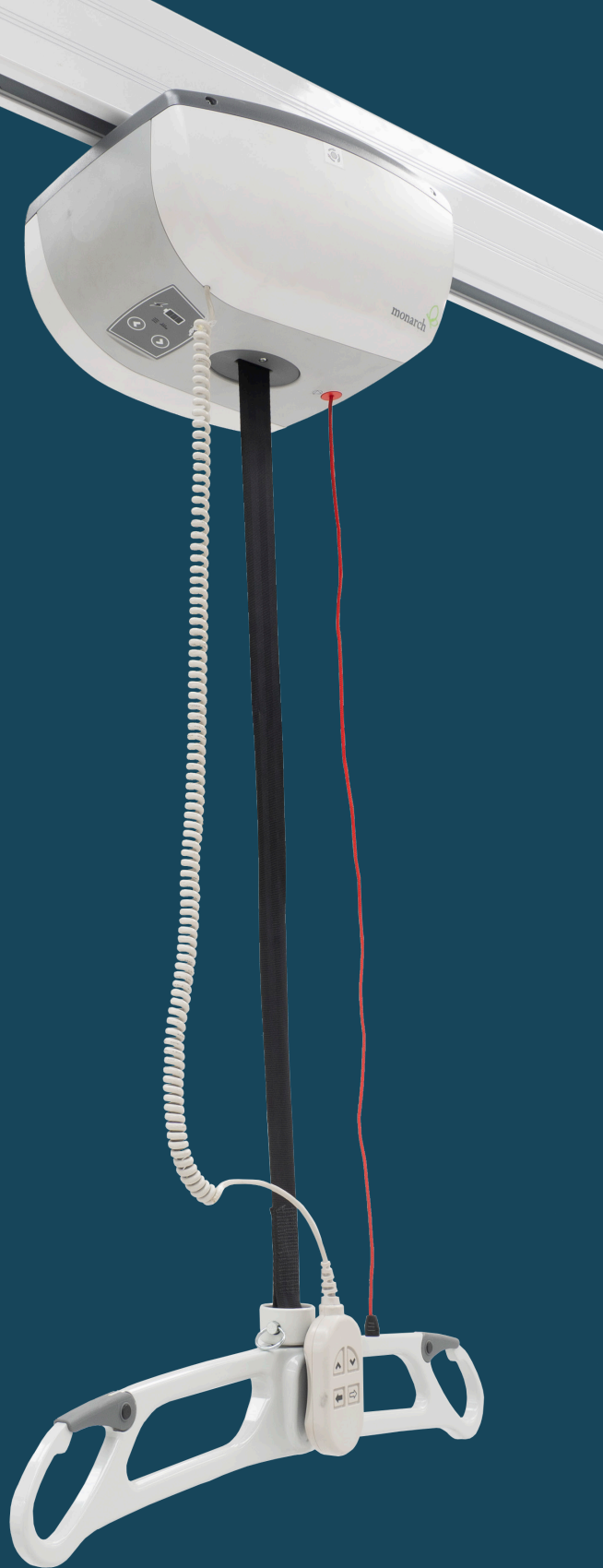


ARCHABILITY

Monarch Ceiling Hoist

Manual Traverse / Powered Traverse

The Monarch Fixed Ceiling Hoist is ideal for use in Changing Places bathrooms, and across other applications for easy and convenient patient transfer.



Features

Powered SKU:

2358002 - 200kg
2358004 - 270kg

Manual SKU:

2358001 - 200kg
2358003 - 270kg



Secure
Spreader Bar
with secure sling
mechanism



Li-ion Battery
Recharges twice
as fast



Weight Capacity
200kg
270 kg



Fast
Lifts up to 30% more
quickly than other
models

Full Features

- + Low lift clearance- slim profile means more room to manoeuvre the patient
- + Comes standard with a unique spreader bar which includes a secure sling mechanism
- + Li-ion battery- recharges twice as fast than average hoists
- + Easy to use magnetic handpiece can be attached to the spreader bar
- + Ideal for Nursing Homes, Changing Places, Bathrooms, Hospitals, Domestic Use, Schools, and many more

Specifications

- + Max Capacity : 200/270 kg
- + Function : Patient Lifting, Room to Room Transfer
- + Weight : 7.5kg (manual), 8.5kg (powered)
- + Battery Operation : 36 V lead acid batteries
- + Lifts per Charge : 30 to 40 cycles
- + Lifting Speed : 4.5cm/second
- + **Soft Start/Stop : YES**
- + **Emergency Stop/Lower : YES**
- + **Track Options** : H System, Turntable, Gate, Curves, Room-to-Room, Freestanding Gantry
- + **Track Compatibility** : Compatible with all Monarch tracking and other leading track manufacturers

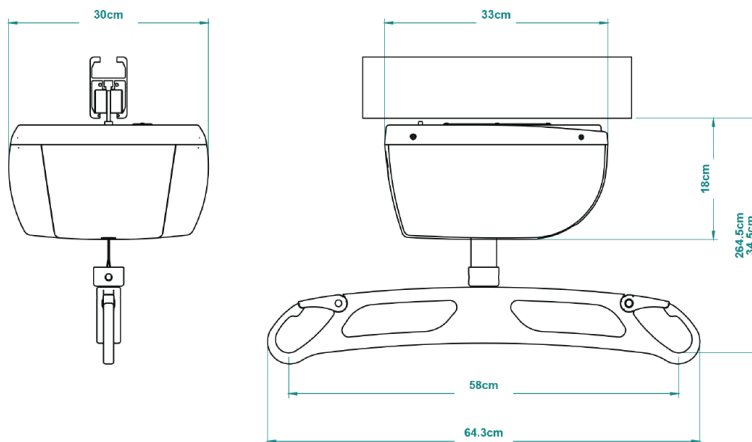


Applications

The Monarch Fixed Hoist is Compatible across a range of applications, these include:



Dimensions



Silverwater

Unit 8, 110-120 Silverwater Rd
Silverwater NSW 2128
Ph: 9649 2111

IMPORTANT : Always be sure to read your owner's manual and installation guide thoroughly before operation.

activemobility.com.au


Active Mobility


ARCHABILITY