



# Luna Ceiling Hoist

**Fixed / Portable**

The lightweight and versatile Luna ceiling hoist installs in seconds and when paired together with the compatible tracking systems, offers optimal room coverage.



## Fixed

### SKU:

2333997 - 200kg  
2333995 - 275kg

## Portable

### SKU:

2333998 - 200kg  
2333996 - 275kg

## Features



**Emergency Lower**  
Emergency lowering functions



**Weight Capacity**  
200kg  
275kg



**Wet Environments**  
IPx4 tested for wet environments



**Easy Charging**  
Charges through the hand control via the wall mounted docking station

## Full Features

- + Has the ability to be used as either a fixed or portable ceiling hoist in one and the same unit.
- + Changing Luna tracks with a Luna portable can be done within seconds by simply detaching and reattaching the unit to the track.
- + Cost effective for institutions who need only invest in only one modular model to cover all their lifting requirements.
- + Emergency lowering functions on hand control & Luna motor.
- + Charging through the ergonomic hand control on wall mounted docking station.

## Specifications

- + Max Capacity : 200/275 kg
- + Length of Lifting Strap : 2200mm
- + Weight : 7 kg (w/o spreader bar)
- + Battery Operation : 36 V lead acid batteries
- + Charging : 100-240 V, 5A
- + Chassis: Aluminium
- + Housing : High impact moulded ABS
- + Charging Time : Appr 4.5-5 hours to charge an empty battery
- + Lifting Speed Down : 44mm/sec (w 89kg load)
- + Lifting Speed Up : 30mm/sec (w 89kg load)
- + No. of Lifts per Charge : 50 lifts of 0.5m (w 100kg)
- + Protection Class : IPx4



## Accessories

### Hand Control IPx4

1320mm:  
233265-1320  
1620mm:  
233265-1620  
1900mm:  
233265-1900

### Hand Control IPx7:

2333280

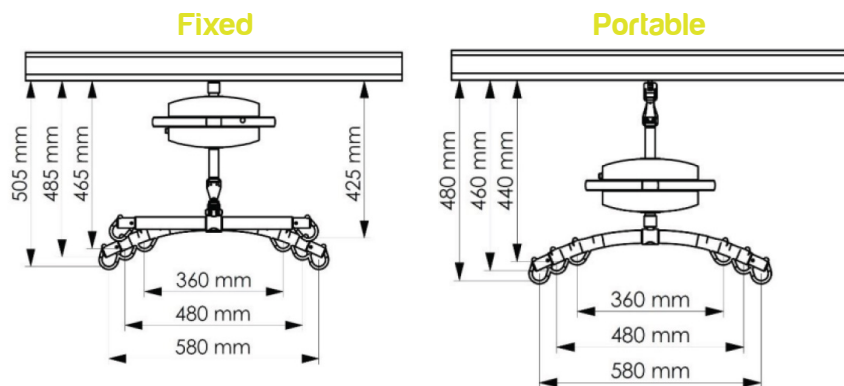
### 3,4 Point spreader bars:

3 Point: 2333030  
4 Point: 2333028

### Weigh Scales:

233188  
2333260

Extension Strap in various lengths also available.



Unit 9, 110-120 Silverwater Rd  
Silverwater NSW 2128  
Ph: 02 9649 2111

[azuredesigns.com.au](http://azuredesigns.com.au)

**IMPORTANT:** Always be sure to read your owner's manual and installation guide thoroughly before operation.

### Warranty Information:

Hoist: 2 years  
Batteries: 6 months

**Azure**  
DESIGNS