

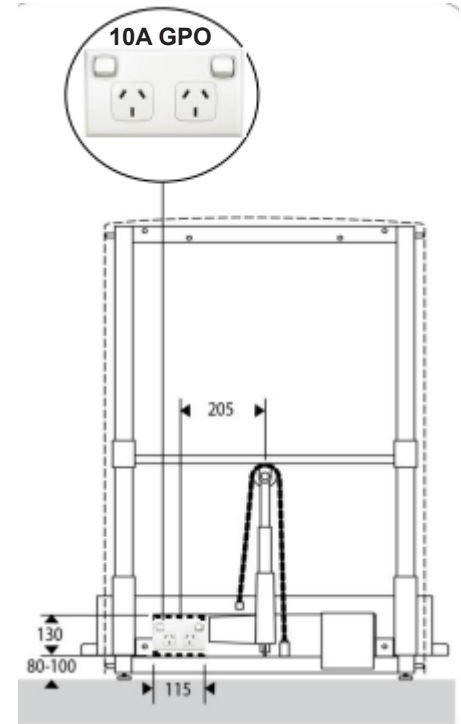
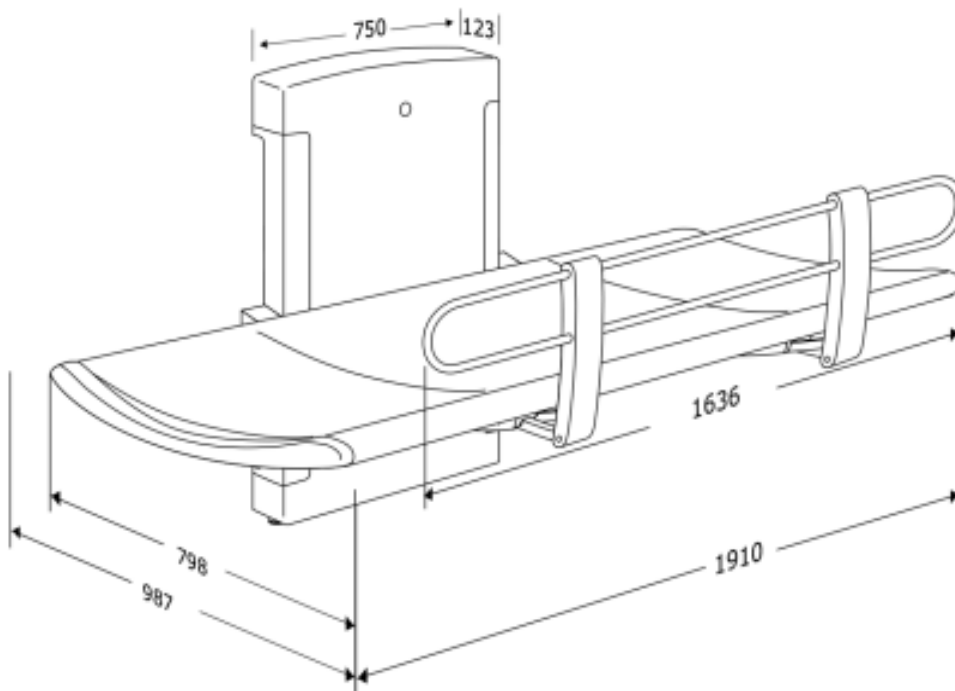


Active Mobility



www.activemobility.com.au

02 9649 2111



## PRESSALIT - Installation Guide

A comfortable nursing bench for use in both wet and dry areas. The polyurethane foam top and in built water collection tray help minimise splashing water and spillage on the floor. The remote controlled height adjustment enhances safety for both the user and their carer.

The Pressalit Nursing Bench is perfect for aquatic centres, nursing homes, retirement villages, schools and hospitals.

### Features:

- Remote controlled, low voltage (24V) for safe operation in a wet area
- 700mm of height adjustability (300-1000mm)
- No cold surfaces- covered with polyurethane foam
- Curved for added comfort and safety
- Manually adjustable back support
- Water collection tray with integral outlet prevents splashing on carer
- Integrated gas cylinder enables bench to be easily folded against the wall to maximise floor space
- Fixed height option available
- Includes safety rail

Regulation EU 2017/745

